

GENERAL GASOLINE ENGINE
WATER PUMP
OPERATOR'S MANUAL



Read this manual carefully before operation.

This Manual contains important safety information and instructions for operating this pump. **PLEASE READ THIS MANUAL CAREFULLY.**

Failure to do so could result in property damage and/or personal INJURY/DEATH.

This manual should be considered as a permanent part of your pump and should remain with it when you sell it.

The pictures and figures provided herein are only for typical expression of the series of production. The pictures and figures may differ from the material object and are only used for reference.

All information in this publication is based on the latest product information available at the time of printing. We reserve the right to change, alter and/or improve the product and this document at any time without notice and without incurring any obligation.

No part of this publication shall be copied or reproduced without any written permission.

Write down the engine's serial number and purchase information. Keep this manual and the receipt for future reference.

Model:

Serial number:

Date of purchase:

Contents

I. Operator safety.....	1
1. Safety rules.....	1
II. Features and controls.....	5
III. Operating.....	7
1. Water pump connecting.....	7
2. Operating checklist.....	8
3. Starting the pump.....	12
4. Stopping the pump.....	14
IV. Maintenance	15
1. Maintenance schedule.....	15
2. General maintenance.....	17
3. Adjustment.....	21
V. Trouble-shooting.....	22
VI. Storage.....	23
VII. Specification.....	24
VIII. Warranty Service.....	30

I. Operator safety

1. Safety rules



Pay attention to this safety alert symbol. Obey all safety messages that follow this symbol to avoid possible property damage, INJURY or DEATH.

Each safety message is preceded by a safety alert symbol and one of three words, DANGER, WARNING, or CAUTION.

DANGER

Indicates a hazardous situation which, if not strictly complied with, will result in substantial property damage, serious injury or DEATH.

WARNING

Indicates a hazardous situation which, if not strictly complied with, may result in property damage, serious injury or DEATH.

CAUTION

Indicates a hazardous situation which, if not strictly complied with, could result in property damage or injury.



WARNING

READ THIS MANUAL COMPLETELY BEFORE OPERATING.

DO NOT operate this water pump until you have read ALL safety, operation, and maintenance Instructions listed in this manual.

Failure to follow the instructions may result in property damage, INJURY or DEATH.

The warnings and precautions discussed in this manual cannot cover all possible conditions and situations that may occur. It must be understood by the operator that common sense and caution are factors which cannot be built into this product, but must be possessed by the operator.

WARNING

Unauthorized modified any part of the generator or for any unsuitable usage is allowed.



⚠ DANGER

FIRE OR EXPLOSION

Gasoline is highly flammable and extremely explosive.

Fire or explosion can cause severe burns or death.

Keep flammable items away while handling gasoline.

Fill fuel tank outdoors and in a well-ventilated area with the pump stopped.

Always wipe off spilled fuel and wait until the fuel has dried before starting the pump.

DO NOT operate the engine with known leaks in the fuel system.

Use proper fuel storage and handling procedures. **DO NOT** store fuel or other flammable materials nearby.

Empty the fuel tank before storing or transporting this engine.

Keep fire extinguisher handy and be prepared if a fire starts.



⚠ DANGER

TOXIC FUMES

The exhaust of the pump engine contains carbon monoxide, an odorless, colorless, poison gas. Using engine indoors **CAN KILL YOU!**

NEVER use inside any building or any kind of enclosure, **EVEN IF** doors and windows are open.

Place the pump in a well-ventilated area and carefully consider wind and air currents when positioning the pump.



⚠ WARNING

HOT SURFACE

Running pump produce heat. Severe burns can occur on contact.

DO NOT touch pump while operating or just after stopping. Avoid contact with hot exhaust gases.

Maintain at least three feet of clearance on all sides to ensure adequate cooling.

Combustible material can catch fire on contact. Maintain at least five feet of clearance from combustible materials.



⚠ WARNING

FIRE

Operation of this pump engine may create sparks that can start fires around dry vegetation.

This pump engine may not be equipped with a spark arresting muffler. If the engine will be used around flammable materials, or on land covered with materials such as agricultural crops, forest, brush, grass, or other similar items, then an approved spark arrester must be installed.

In some area, a spark arrester is required by law. Please contact local fire agencies for laws or regulations relating to fire prevention requirements.



⚠ WARNING

KICKBACK

Rapid retraction of the starter cord will pull hand and arm towards the engine faster than you can let go.

Unintentional startup can result in accident.



⚠ DANGER

MOVING PARTS

Moving parts can cause severe injury. Keep hands and feet away.

DO NOT operate pump with covers, shrouds, or guards removed.

DO NOT wear loose-fitting clothing, dangling drawstrings or items that could become caught. Tie up long hair and remove jewelry.

NEVER place fingers, hands, or body near the engine when it is running.

⚠ WARNING

Do not use the pump for inflammable or corrosion liquids, chemical solvent, or alkali liquids transport, such as gasoline, alcohol, seawater, oil wine or milk production. Keep the rubber or plastic material far away from oil kinds of stuff.

Keep hands and body far away from discharge of the pump. Fix the transport pipe the pump so that it can stable during operation. Never put hand or body into the operation pump or transport pipe.

⚠ WARNING

Fix the pump in case moving or being caught in mud or water, especially when it settles down to the pound or ditches nearby.

Never drive to run over the transportation pipe. If the pipe must cross the road, use plate to hole the pipe over sides to protect from block or press drove by the car.

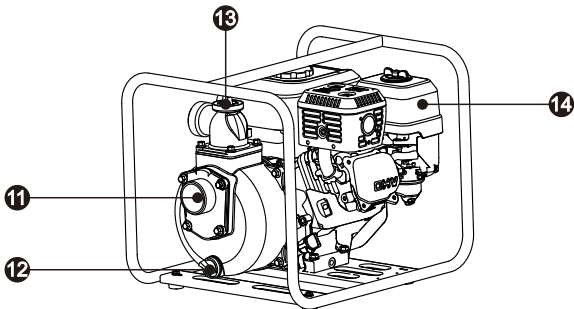
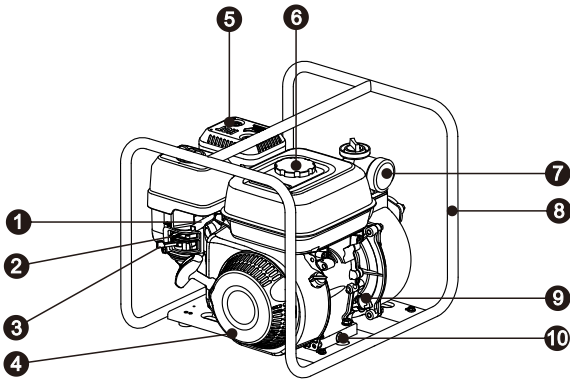
Keep the connecting sealing and use explosion-proof pipe for output. Never block the input and output pipe, or it will damage the pump.

Never start the pump without impurities filter in the input pipe.

Keep enough water in the pump before operate it, do not run it without water in it.

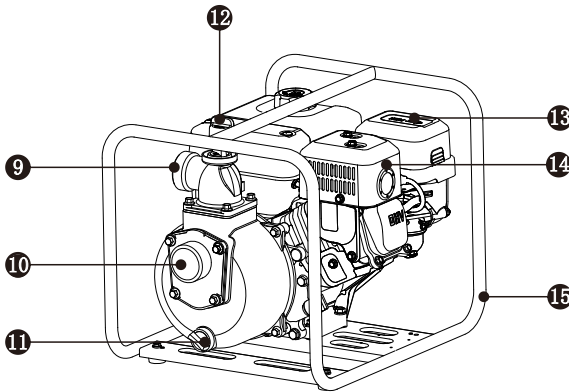
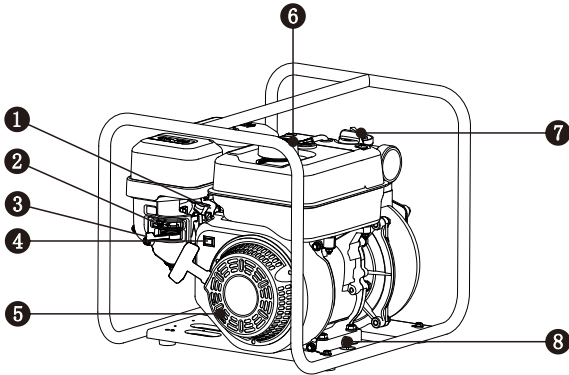
Make sure users are acquired the knowledge of how to stop the pump quickly and operate all the related devices. No body without enough general understanding of how to operate the pump is allowed to run it. All those man who are juvenile, old man, disabled, the ones after insert alcohol, cordial, anesthetic cannot operate the pump.

II. Features and Controls



- | | | |
|--------------------|---------------|---------------------|
| ① Throttle control | ② Choke lever | ③ Fuel switch |
| ④ Starter | ⑤ Muffler | ⑥ Fuel cap |
| ⑦ Water outlet | ⑧ Rack | ⑨ Dipstick |
| ⑩ Oil drain | ⑪ Water inlet | ⑫ Water outlet plug |
| ⑬ Water inlet plug | ⑭ Air filter | |

GH Series water pump power structure

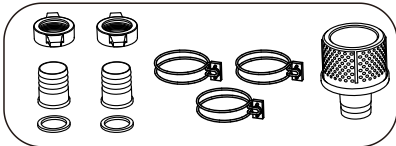


- | | | |
|--------------------|---------------------|----------------|
| ① Throttle control | ② Choke lever | ③ Fuel switch |
| ④ Flameout switch | ⑤ Starter | ⑥ Fuel cap |
| ⑦ Water inlet plug | ⑧ Oil drain | ⑨ Water outlet |
| ⑩ Water inlet | ⑪ Water outlet plug | ⑫ Dipstick |
| ⑬ Air filter | ⑭ Muffler | ⑮ Rack |

III. Operating

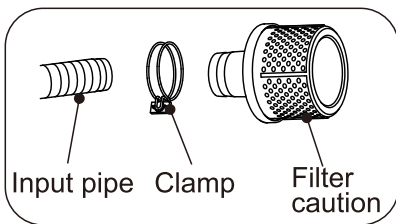
1. Water pump connecting

Check all the following parts after unpack.



Then connect them as follows.

1.1 connecting the filter

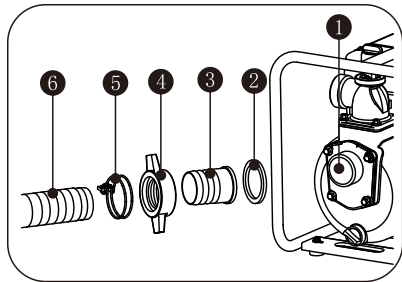


CAUTION

Remember to connect the impurities filter at the end of the input pipe, so that it can prevent from the impurities that may block the pipe or damage any parts.

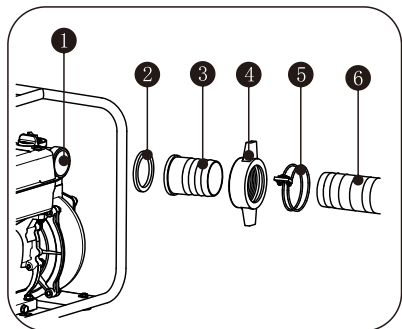
Keep 20cm depth water submerging the filter and no mud block the mouth when put it into water. Propose to put the pump in a bucket before put it into water or settle on a stone in the water.

1.2 Connecting the inlet pipe



- ① Inlet mouth
- ② Rubber sealing gasket
- ③ Joint tube
- ④ Joint tube connecting
- ⑤ Clamp
- ⑥ Inlet pipe

1.3 Connecting the outlet pipe



- ① Outlet mouth
- ② Rubber sealing gasket
- ③ Joint tube
- ④ Joint tube connecting
- ⑤ Clamp
- ⑥ Outlet pipe

⚠ CAUTION

Input pipe must be the unfolded hard pipe but not too long, length should be the direct proportion with the input time.

Water pipe selection is based on the run condition and purchase model, the output pipe pressure capacity must meet the requirement for safe.

Fasten the clamp so that it cannot loosen under the high pressure on input or output.

Large diameter and short length pipe is commanded for output pipe. If keep output pipe too long or too small diameter, it will increase the flow resistance, which may decrease the output.

2. Operating checklist.

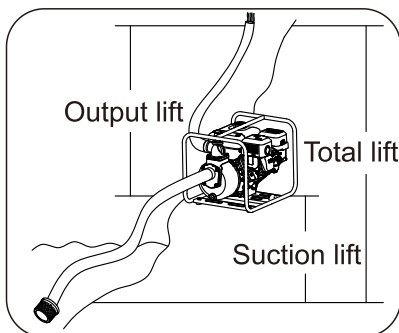
1 Operating area

For outdoor use only and always keep clean around the water pump.

Place the pump in a well-vented area and carefully note the wind and air currents.

Place the water pump in a hard horizontal surface

before running it, and the pump setting location and its water lift should not over the limited, or it will damage the sealing caused by overheated.



⚠ DANGER

TOXIC FUMES

The exhaust of the pump engine contains carbon monoxide, an odorless, colorless, poison gas. Using pump indoors **CAN KILL YOU!**

NEVER use inside any building or any kind of enclosure, **EVEN IF** doors and windows are open.

High altitude

This pump engine may require a high altitude carburetor kit to ensure correct operation at high altitudes. Consult your local dealer for high altitude kit information if you always

operate your engine at altitudes above 5,000 feet (1,500 meters).

⚠ CAUTION

Even with carburetor modification, pump horsepower will decrease about 3.5% for each 1,000 feet (300 meters) increase in altitude. The effect of altitude on horsepower will be greater than this if no carburetor modification is made.

⚠ CAUTION

Operation the pump at altitude below 5,000 feet (1,500 meters) with modified carburetor may cause the pump to overheat and result in serious pump damage.

2 Operating Condition

Check for loose or damaged parts, signs of oil or fuel leaks, and any other condition that may affect proper operation. Repair or replace all damaged or defective parts immediately.

⚠ WARNING

Failing to correct problem(s) before operation could result in property damage, serious injury or DEATH.

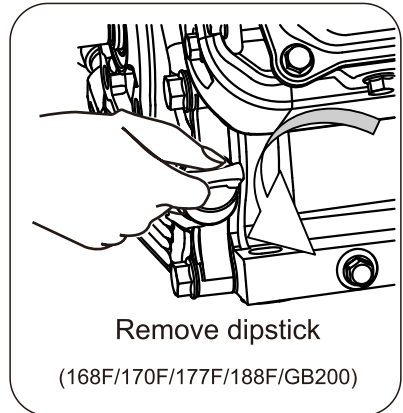
Remove any excessive dirt or debris, especially around the muffler and recoil starter.

3 Engine oil

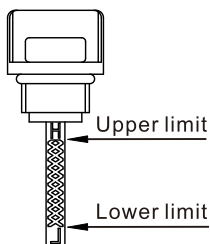
Place the engine on a level surface with engine stopped.

Remove the dipstick and wipe it clean.

Reinstall dipstick into tube; rest on oil fill neck, DO NOT thread cap into tube.



Remove the dipstick again and check oil level. Level should be at top of indicator on dipstick.

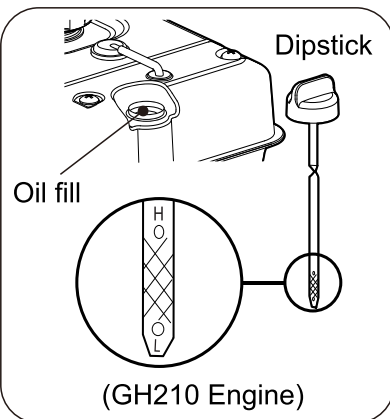


Oil level gauge

(168F/170F/177F/188F/GB200)

Fill to the upper limit (marked with "H") of the dipstick with the recommended oil if the oil level is low.

Reinstall and fully tighten the dipstick.



(GH210 Engine)

Refer to **add oil** instruction in **MAINTENANCE** section for more information.

⚠ WARNING

Oil is a major factor affecting performance and service life. Use 4-atroke automotive detergent oil SAE 10W-30 recommended in the Maintenance section of this manual.

⚠ WARNING

This pump engine is not filled with oil at the factory. Any attempt to crank or start the engine before it has been properly filled with the recommended type and amount of oil may result in engine damage and void your warranty.

4 Engine fuel

With the engine stopped, check the fuel level gauge. Refill the fuel tank if necessary.

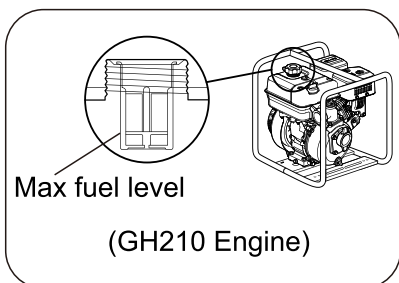
⚠ CAUTION

Pressure can build up in the fuel tank. Allow the engine to cool for at least two minutes before removing fuel cap. Loosen the fuel cap slowly to relieve any pressure in the tank.

Use clean, fresh, regular unleaded gasoline with a minimum octane rating of 87.

DO NOT mix oil with gasoline.

Be sure not to fill above the upper limit mark, always fill to regulated level like level indicator shows, or fill to 25mm left from fuel tank, lower the fuel level according to engine start condition and allow room for fuel expansion.



⚠ DANGER

Do not fill the fuel tank above the upper limit. Over fill will result in engine die or damage the carbon canister (if equipped) and void your warranty.



⚠ DANGER

FIRE OR EXPLOSION

Gasoline is highly flammable and extremely explosive.

Fire or explosion can cause severe burns or death.

Keep flammable items away while handling gasoline.

Fill fuel tank outdoors and in a well-ventilated area with the engine stopped.

Always wipe off spilled fuel and wait until the fuel has dried before starting the engine.

DO NOT operate the engine with known leaks in the fuel system.

Use proper fuel storage and handling procedures. DO NOT store fuel or other flammable materials nearby.

Empty the fuel tank before storing or transporting this engine.

Keep fire extinguisher handy and be prepared if a fire starts.

NEVER use engine or carburetor cleaner products in the fuel tank or permanent damage may occur.

It is important to prevent gum deposits from forming in essential fuel system parts, such as the carburetor, fuel filter, fuel hose or tank during storage. Also, experience indicates that alcohol-blended fuels (called gasohol, ethanol or methanol) can attract

moisture, which leads to separation and formation of acids during storage.

Acidic fuel can damage the fuel system of an engine while in storage. Be sure to review the instructions given in "Storage" on chapter six.

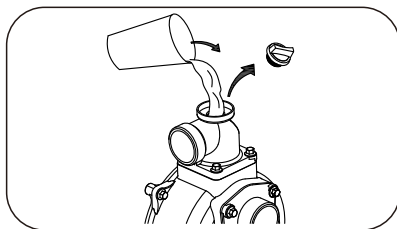
Gasoline/Alcohol Blends: up to 10% alcohol, 90% unleaded gasoline by volume is approved as a fuel. Other gasoline/alcohol blends are not approved. Effects of old, stale or contaminated fuel are not warrantable.

⚠ CAUTION

To minimize gum deposits in your fuel system and to insure easy starting, do not use gasoline left over from the previous season.

5 Prime the pump

Fill the pump before start it. Remove the water inlet rubber plug and fill water in pump



⚠ WARNING

Operation with no water in pump will damage the seal system, which will void the warranty.

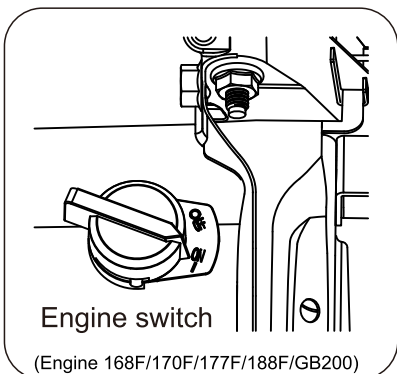
3. Starting the pump

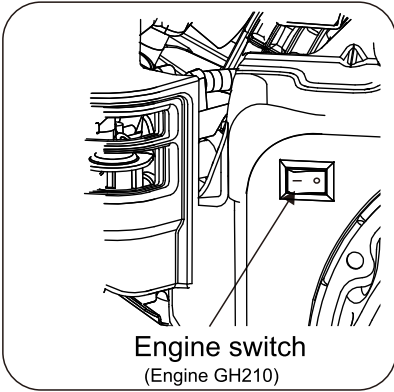
1

Check the item before operating the pump.

2

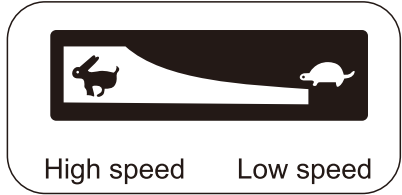
Turn start switch to "ON" or "-" position.





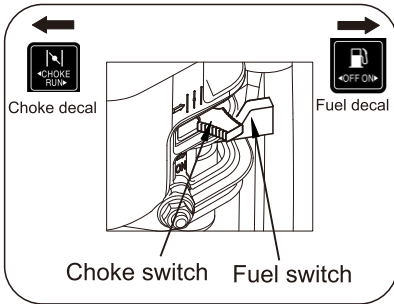
4

Turn the throttle lever 1/3 from low speed to high speed.



3

Turn off the choke level and fuel switch on the throttle lever.



5

Recoil start

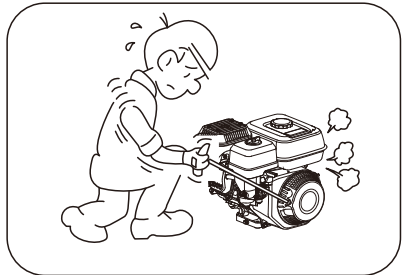
⚠ WARNING

Check recoil rope before start. If rope got abrasion severely, please exchange in local authorized dealers.

Pull the starter handle until feel resistance force to start the engine, and then pull more quickly to start it.

⚠ CAUTION

Whether choke open or not may be varied with temperature or other factors, for instance, if heat engine re-started above 20°C, the choke should be open, while re-started below 20°C, the choke should be closed.





WARNING

KICKBACK

Rapid retraction of the starter cord will pull hand and arm towards the engine faster than you can let it go.

Unintentional startup can result in accident.

Switch on the choke lever right after engine started successfully. Do not run engine for long time with choke lever off.

6

Turn the throttle lever to high speed to run the engine under standard speed.



High speed Low speed

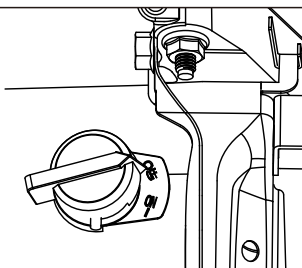
4. Stopping the pump

1

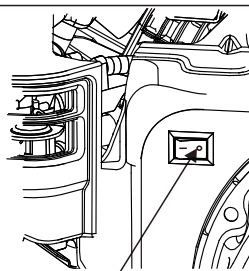
Turn the throttle lever to low speed to run engines more 1-2 minutes.

2

Turn the switch to OFF position or O position to stop the pump (with GH210 engine).



(168F/170F/177F/188F/GB200)

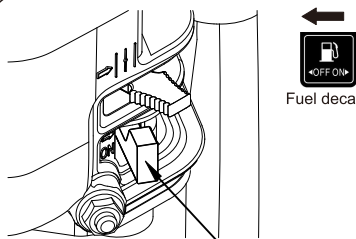


Engine switch

(Engine GH210)

3

Turn off the fuel switch.



Fuel switch

IV. Maintenance

It is owner's/operator's responsibility to complete all scheduled maintenance in a timely manner. Correct any issue before operating the pump.

Always follow the inspection and maintenance recommendations and schedule in this manual.



⚠ DANGER

Accidental starts can cause severe injury or death. Remove and ground spark plug wire before performing any service.

⚠ WARNING

Improper maintenance or failure to correct a problem before operation can cause a malfunction and result in property damage, serious injury or DEATH.

Improper maintenance will void your warranty.

⚠ CAUTION

The filter element may contain PAHs, PAHs are harmful for your health. Please wear gloves for protection during air filter maintenance.

1. Maintenance schedule

Service the washer in a clean, dry and flat area. Follow the service intervals indicated in the chart below. Service your washer more frequently when operating in adverse conditions.

Contact your local service dealer for your washer maintenance needs.

Maintain period Item (check as Order shows)		Each time before and after use	First month or the first 20h	Every 50h or each 3 months	Every 100h or each 6 months	Every 300h or each year
Fasten parts	Check	√				
oil	Oil level check	√				
	Oil Change		√	√		
Air Filter	Check	√				
	Clean ^{Note1}			√		
	Change ^{Note1}					√
Spark plug	Check and Adjust				√	
	Change					√
Idle speed	Check and adjust ^{Note2}				√	
Valve gap	Check and adjust ^{Note2}				√	
Combustion chamber	Clean ^{Note1}	Clean Every 200h				
Gasket on cylinder	Clean ^{Note1}				√	
Fuel tank	Clean ^{Note1}				√	
Fuel pipe system	Clean ^{Note1}	Clean Every 2 years(change new one if needed)				

pump	Clean ^{Note1}					√
Cooling fan	Check					√
Pump water intake valve	Check					√

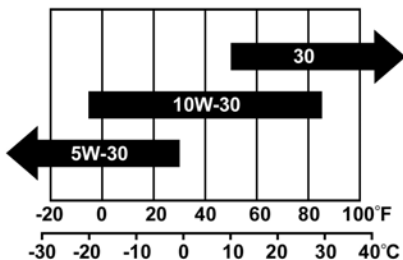
Note 1: More frequent maintaining is required when engine run in the multi-dust or severe condition.

Note 2: All maintaining should be done by experienced users or local authorized dealer.

2. General maintenance

Engine oil

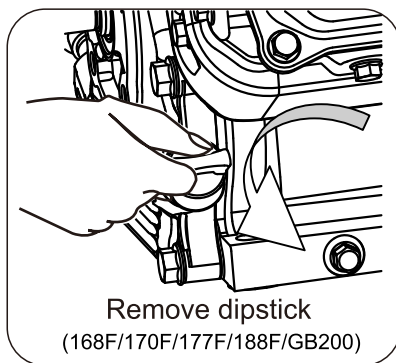
SAE 10W-30 is recommended for general, all-temperature use. Other viscosities shown in the chart may be used when the average temperature in your area is within the indicated range.



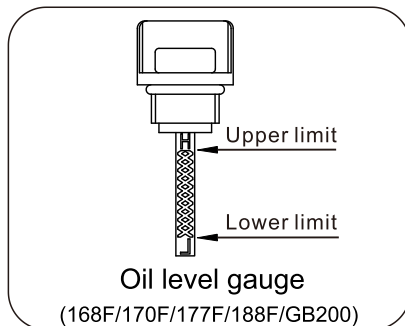
AMBIENT TEMPERATURE

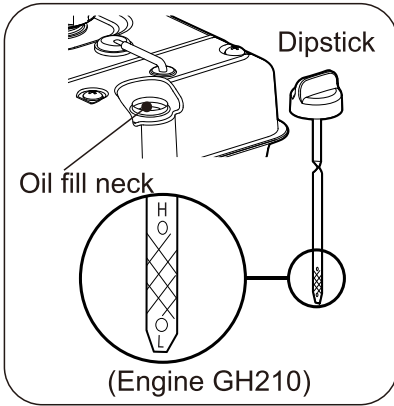
Add oil

1. Place the engine on a level surface.
2. Remove the dipstick and wipe it clean.



3. Add the oil of the recommended type to the upper limit of the dipstick.





5. Replace and fully tighten the drain plug.

6. Add recommended oil to the upper limit (see add oil instruction above).

7. Reinstall and fully tighten the dipstick.

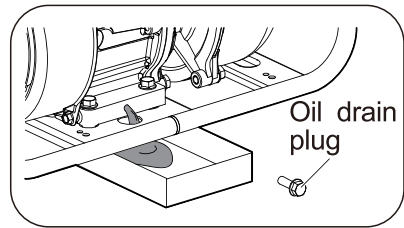
8. Dispose of used oil at an approved waste management facility.

CAUTION

Oil level check

Reinstall dipstick into tube; rest on oil fill neck, DO NOT thread cap into tube.

4. Completely screw the dipstick.



Change oil

CAUTION

Change oil when the engine is warm from operation.

1. Place the engine on a level surface.

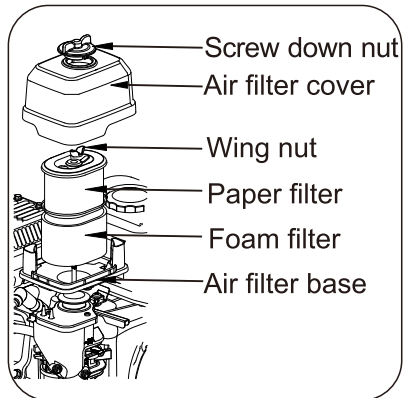
2. Clean area around dipstick and drain plug.

3. Remove oil dipstick.

4. Remove the oil drain plug and allow the oil to drain completely.

Double filter

1. Loosen the nut to remove the filter cover.



2. Loosen the wing nut to remove the filter.

3. Cleanup the filter.

Foam filter:

Put the foam element into hot water with detergent, to throughout dry the element, wrap and press it in the clean and water sucking fabric. After cleaning soak it in the clean oil for a while before wrap and press it in the clean and water sucking fabric again.

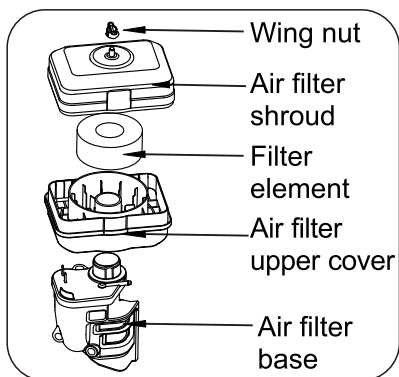
Paper filter:

Tap lightly to soft the hard filter from its inside to outside so that the dirt can fall off. Never brush the dirt, which may make the dirt into paper filter. Change a new paper filter if it is too dirty.

4. Reassemble the filter back to the units.

5. Fasten cover with the screw down nut.

Oil bath filter



1. Loosen wing nut and remove the air filter shroud, take out the air filter to check, exchange a new one if damage badly.

2. Filter element cleanup: use the high light or won't burn detergent to clean the filter and dry it. And then soak it in clean oil and dry it again.

3. Pour out oil in the filter upper side covers, and then clean it with the filter elements detergent and dry it.

4. Fill clean oil in the upper cover up to the marked level.

5. Reassemble the filter elements, shroud and nuts.

⚠ WARNING

DO NOT run the engine without the air filter, serious danger can result.

Spark plug

1. Clean any dirt from the spark plug cap and spark plug base.

2. Remove the spark plug cap.

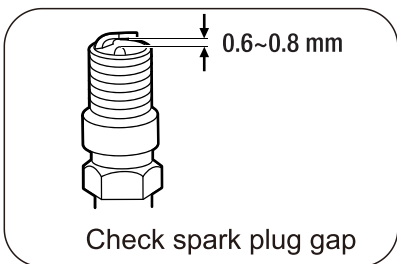
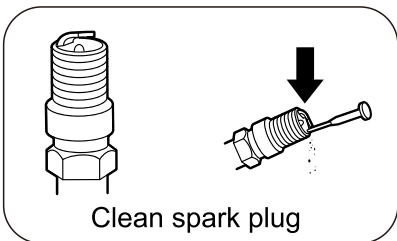
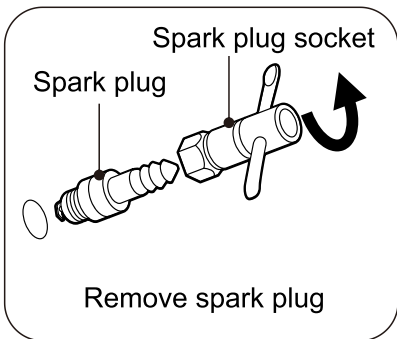
3. Using socket wrench to loose and remove the spark plug.

4. Inspect the spark plug and spark plug washer, if it's damaged or worn, replace with new one. Clean the spark plug with wire brush if reuse it.

5. Check spark plug gap.
Carefully bend side electrode
to adjust the gap if necessary.

Spark plug gap:

0.6mm - 0.8mm



6. Carefully thread the plug into the engine by hand.
7. After the spark plug seated, use spark plug wrench to tighten it.

Spark Plug tighten Torque: **20-25 N.m**

8. Attach the spark plug wire to the plug.

⚠ WARNING

Only use recommended spark plug or equivalent. **DO NOT** use spark plugs that have improper heat range.

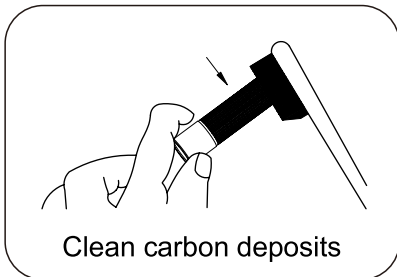
Spark Arrester (Applicable types)

1. Allow the engine to cool completely before servicing the spark arrester.

2. Remove the two screws holding the cover plate which retains the end of the spark arrester to the muffler.

3. Remove the spark arrester screen.

4. Carefully remove the carbon deposits from the spark arrester screen with a wire brush.



5. Replace the spark arrester if it is damaged.

6. Reinstall the spark arrester in the muffler and attach with the two screws.

3. Adjustment

There has no other service and/or adjustment need for your engine.

Unapproved adjustments or tampering can damage your engine and your electrical devices and will void your warranty. Contact your local dealer for such needs.

WARNING

Tampering with the factory set governor will damage your engine and void your warranty.

V. Trouble analysis and trouble-shooting

Item	Problem shooting	Solution
Engine can hardly start or cannot start /Low power	Throttle closed	Open the throttle governor
	Stop switch closed	Turn the switch to ON or - position
	Choke opened	Close the choke
	Carbon store in spark plug	Remove the carbon accumulation
	Spark plug and ignition gap large or small	Adjust the gap to standard value
	Spark plug damage	Change a new one
	Inferior oil or fuel is used.	Change new fuel or oil
	Engine works over loaded or over heated	Check the engine work condition
	Insufficient oil	Add oil to standard level
Pump cannot work or low pressure after engine start	Impurities Filter blocked	Check and remove the impurities
	Insufficient water in pump	Unscrew the rubber plug to fill enough water
	Problem on water pipe like block, loosen, leak and pipe length too long or diameter too narrow.	Check the water pipe and adjust
	Input pipe is not in the water.	Check and put it into water
	Input pipe leak	Check the connecting
	Pump mounting too high	Lower the mounting height
	Engine works low speed	Turn the throttle governor to high speed

If problems still not be solved according to above problem shooting or other problem caused during operation, contact with your local authorized dealer for help. Unauthorized disassemble on the pump will void your warranty.


VI. Storage

The pump should be started at least once every 2 weeks and allowed it run for at least 20 minutes. Follow the instructions below for a long term storage if the pump will be out of service for 2 more months or more longer.

6. Remove the water outlet plug, and clean the pump with pure water, and then drain all the water before reattach the plug.

7. Clean the appearance of the pump and shield the pump in case of dusty accumulation.

8. Store the unit in a clean, dry area , and out of direct sunlight.



Fire or explosion

Gasoline is highly flammable and extremely explosive. Empty the fuel tank and shut off fuel valve before storing or transporting this pump.

1. Remove oil as maintenance and service chapter indicate when pump engine is hot after running.
2. Allow the pump to cool completely.
3. Drain all fuel completely from the fuel tank, fuel hose and carburetor.
4. Remove spark plug and pour about 1 oz. of engine oil into cylinder. Reinstall spark plug. Crank pump slowly to distribute oil and lubricate cylinder.
5. Pull the recoil till resistance is felt.

VII. Specification

Water pump	Advertising model	WG20 SERIES				
	Industrial model	QGZ50-32 SERIES				
	Sub model	WG20/ QGZ50 -32	WG20-1/ QGZ50- 32-1	WG20-2/ QGZ50- 32-2	WG20-3/ QGZ50- 32-3	WG20-4/ QGZ50- 32-4
	Inlet/outlet diameter (mm)	50/50				
	Rated/ Max. flow(m ³ /h)	25/35			25/30	25/35
	Rated/ Max. head (m)	20/30			20/26	20/30
	NPSH (m)	≤3.5				
	Rated suction head (m)	5				
	Self-priming time at 5m(s)	≤130				
	Max. speed (rpm)	3800				
Engine	Engine Model	GB200	168FB	GH210	168FA	GH210-3
	Rated Power (kW)	4.2	3.8	4.0	3.2	4.0
	Oil type	SAE10W-30 or higher level				
	Fuel capacity (L)	2.6	2.6	2.5	2.6	2.0
	Rated Oil capacity (L)	0.6	0.6	0.6	0.6	0.6
Whole sets	Net weight (kg)	24				

Water pump	Advertising model	WG30 SERIES				
	Industrial model	QGZ80-30 SERIES				
	Sub model	WG30/ QGZ80 -30	WG30-1/ QGZ80- 30-1	WG30-2/ QGZ80- 30-2	WG30-3/ QGZ80- 30-3	WG30-4/ QGZ80- 30-4
	Inlet/outlet diameter (mm)	80/80				
	Rated/ Max. flow(m ³ /h)	38/55	38/52	38/55	38/52	38/55
	Rated/ Max. head (m)	15/30	15/25	15/30	15/25	15/30
	NPSH (m)	≤3.5				
	Rated suction head (m)	5				
	Self-priming time at 5m(s)	≤160				
	Max. speed (rpm)	3800				
Engine	Engine Model	GB200	168FB	GH210	168FA	GH210-3
	Rated Power (kW)	4.2	3.8	4.0	3.2	4.0
	Oil type	SAE10W-30 or higher level				
	Fuel capacity (L)	2.6	2.6	2.5	2.6	2.0
	Rated Oil capacity (L)	0.6	0.6	0.6	0.6	0.6
Whole sets	Net weight (kg)	26				

Water pump	Advertising model	WG40 SERIES		
	Industrial model	QGZ100-30 SERIES		
	Sub model	WG40/ QGZ100-30	WG40-1/ QGZ100-3 0-1	WG40-2/ QGZ100-3 0-2
	Inlet/outlet diameter (mm)	100/100		
	Rated/ Max. flow(m ³ /h)	45/85	45/85	45/80
	Rated/ Max. head (m)	15/25		
	NPSH (m)	≤4		
	Rated suction head (m)	5		
	Self-priming time at 5m(s)	≤200		
	Max. speed (rpm)	3800		
Engine	Engine Model	177F	GH300	173F
	Rated Power (kW)	5.8	6.0	4.9
	Oil type	SAE10W-30 or higher level		
	Fuel capacity (L)	5.2	4.2	5.2
	Rated Oil capacity (L)	1.1	1.1	1.1
Whole sets	Net weight (kg)	45		

Water pump	Advertising model	TG20 SERIES		
	Industrial model	QGZ50-30W SERIES		
	Sub model	TG20/ QGZ50-30W	TG20-1/ QGZ50-30W-1	
	Inlet/outlet diameter (mm)	50/50		
	Rated/ Max. flow(m ³ /h)	22/35		
	Rated/ Max. head (m)	18/30		
	NPSH (m)	≤4		
	Rated suction head (m)	5		
	Self-priming time at 5m(s)	≤200		
	Max. speed (rpm)	3800		
Engine	Engine Model	GB200	GH210	
	Rated Power (kW)	4.2	4.0	
	Oil type	SAE10W-30 or higher level		
	Fuel capacity (L)	2.6	2.5	
	Rated Oil capacity (L)	0.6	0.6	
Whole sets	Net weight (kg)	33		

Water pump	Advertising model	TG30 SERIES		
	Industrial model	QGZ80-30W SERIES		
	Sub model	TG30/ QGZ80-30W	TG30-1/ QGZ80-30 W-1	TG30-2/ QGZ80-30 W-2
	Inlet/outlet diameter (mm)	80/80		
	Rated/ Max. flow(m ³ /h)	30/55		
	Rated/ Max. head (m)	16/25		
	NPSH (m)	≤4		
	Rated suction head (m)	5		
	Self-priming time at 5m(s)	≤200		
	Max. speed (rpm)	3800		
Engine	Engine Model	GB200	168FB	GH210
	Rated Power (kW)	4.2	3.8	4.0
	Oil type	SAE10W-30 or higher level		
	Fuel capacity (L)	2.6	2.6	2.5
	Rated Oil capacity (L)	0.6	0.6	0.6
Whole sets	Net weight (kg)	38		

Water pump	Advertising model	HG15 SERIES		
	Industrial model	QGZ40-75 SERIES		
	Sub model	HG15/ QGZ40-75	HG15-1/ QGZ40-75- 1	HG15-2/ QGZ40-75- 2
	Inlet/outlet diameter (mm)	40/40(25)(25)		
	Rated/ Max. flow(m ³ /h)	8/18(15)(15)		
	Rated/ Max. head (m)	47/80(80)(80)		
	NPSH (m)	≤3.5		
	Rated suction head (m)	5		
	Self-priming time at 5m(s)	≤300		
	Max. speed (rpm)	3800		
Engine	Engine Model	GB200	GH210	170F
	Rated Power (kW)	4.2	4.0	4.0
	Oil type	SAE10W-30 or higher level		
	Fuel capacity (L)	2.6	2.5	2.5
	Rated Oil capacity (L)	0.6	0.6	0.6
Whole sets	Net weight (kg)	33		

Water pump	Advertising model	HG20 SERIES		
	Industrial model	QGZ50-65 SERIES		
	Sub model	HG20/ QGZ50-65	HG20-1/ QGZ50-65-1	HG20-2/ QGZ50-65-2
	Inlet/outlet diameter (mm)	50/50(40)(40)		
	Rated/ Max. flow(m ³ /h)	20/30(28)(28)		
	Rated/ Max. head (m)	38/55(55)(55)		
	NPSH (m)	≤3.5		
	Rated suction head (m)	5		
	Self-priming time at 5m(s)	≤300		
	Max. speed (rpm)	3800		
Engine	Engine Model	GB200	GH210	170F
	Rated Power (kW)	4.2	4.0	4.0
	Oil type	SAE10W-30 or higher level		
	Fuel capacity (L)	2.6	2.5	2.5
	Rated Oil capacity (L)	0.6	0.6	0.6
Whole sets	Net weight (kg)	27		

Water pump	Advertising model	HG30 SERIES	HB20 SERIES	WG25 SERIES
	Industrial model	QGZ80-80 SERIES	QGZ50-100 SERIES	QGZ65-30 SERIES
	Inlet/outlet diameter (mm)	80/65(40)(40)	50/50	65/65
	Rated/ Max. flow(m ³ /h)	30/45(40)(40)	20/25	25/40
	Rated/ Max. head (m)	45/75(75)(75)	63/85	17/30
	NPSH (m)	≤3.5		
	Rated suction head (m)	5		
	Self-priming time at 5m(s)	≤300	≤300	≤160
	Max. speed (rpm)	3800	3800	3800
Engine	Engine Model	188F	188F	GB200
	Rated Power (kW)	7.4	7.4	4.2
	Oil type	SAE10W-30 or higher level		
	Fuel capacity (L)	5.2	5.2	2.6
	Rated Oil capacity (L)	1.1	1.1	0.6
Whole sets	Net weight (kg)	50	60	25

Water pump	Advertising model	MG20 SERIES		SG40 SERIES	
	Industrial model	QGZ50-30 SERIES		----	
	Sub model	MG20/ QGZ50-30	MG20-1/ QGZ50-30-1	SG40	SG40-1
	Inlet/outlet diameter (mm)	50/50		100/100	
	Rated/ Max. flow (m ³ /h)	22/35		45/80	
	Rated/ Max. head (m)	20/30		15/25	
	NPSH (m)	≤3.5		≤4	
	Rated suction head (m)	5		5	
	Self-priming time at 5m(s)	≤200		≤200	
	Max. speed (rpm)	3800		3800	
Engine	Engine Model	GB200	168FB	GB200	GH210-3
	Rated Power (kW)	4.2	3.8	4.2	4.0
	Oil type	SAE10W-30 or higher level			
	Fuel capacity (L)	2.6	2.6	2.6	2.0
	Rated Oil capacity (L)	0.6	0.6	0.6	0.6
Whole sets	Net weight (kg)	25		34	

Water pump	Advertising model	NG25 SERIES			
	Industrial model	QG65-55 SERIES			
	Sub model	NG25/ QG65-55	NG25-1/ QG65-55-1	NG25-2/ QG65-55-2	
	Inlet/outlet diameter (mm)	65/50			
	Rated/ Max. flow (m ³ /h)	25/30			
	Rated/ Max. head (m)	32/55			
	Max. speed (rpm)	3800			
Engine	Engine Model	GB200	170F	GH210	
	Rated Power (kW)	4.2	4.0	4.0	
	Oil type	SAE10W-30 or higher level			
	Fuel capacity (L)	2.6	2.5	2.5	
	Rated Oil capacity (L)	0.6	0.6	0.6	
Whole sets	Net weight (kg)	27			

Note: Any engine and related data of pump changes may not be informed. Engine may difference in various area, please contact local authorized dealers for engine information.

VIII. Warranty Service

Thank you for purchasing the General Power serial pumps. All the parts belong to our company when you get them warranty service for quality issue. According to the related stipulation in Consumer Protection Act in People's Republic of China, Please reserve the warranty cards and invoice in case of warranty needed, and we will service you with sincerely faith.

1. For pump of farm-oriented, engine and main parts are warranty for 12 months, easy damage parts are warranty for 3 months, and plastic parts are not in warranty.

Main parts: crankcase and cover, crankcase shaft, flywheel, the pump body and the rack.

Easy damage parts: spark plug, oil sealing, gasket, rubber seal, O-ring seal.

2.All damage caused by quality issue can service freely maintaining during warranty.

3.Certain charges will happen when repairing or maintaining with no invoice or expired warranty.

4.According to country's warranty law, if any exchange or return caused by quality issue happened in 7-day's purchase, it must keep all follows done, such as packed well, completed enclosed parts and completed styling without any artificially damages. Or the customer will respond for the warranty.

5.Please show your purchase invoice and the warranty cards when warranty happens, and fill the warranty card at the Special Maintenance Station. Please reserve the card well in case of warranty and it will never re-get when it lost.

6.All conditions below are not in warranty but can be repaired by certain charge or lifetime service:

A. Warranty card or purchase invoice cannot be provided, except any condition that can show engine is in the warranty.

B. Damages caused by wrong operation, maintenance or storage that is not comply with manual.

C. Damages caused by those conditions where personal damage or Special Maintenance Station service without authorized, as well as using the poor quality substitution.

D. Damages caused by over work condition when operate the engine.

- E. Damage caused by changes without authorized or beyond any rules and law.
 - F. Damages caused by using non-service parts provided by our company.
 - G. Damages caused by not using recommended oil or fuel.
 - H. Defect caused by time goes, such as color faded or paint surface rusted.
 - I. Damages caused by unresistant nature disasters, like earthquake, typhoon, fire hazard and flood
 - J. Damages caused by smudging, medicine, chemical production or corrosion production.
 - K. Any inconformity between engine and warranty cards or invoice, even changing marks on the warranty or invoice are not in warranty.
 - L. Phenomenon caused by feelings but has no impact on engine performance, like voice, vibration, oil leak)
 - M. Damages caused by storage, transportation, or long-term no operation.
 - N. Engines from abnormal purchase
 - O. Engines that can operate after repairing with warranty expired.
7. Engines that are not operating in the range of visiting service will be charged by Special Maintenance Station according to service distance. Please consult the Special Maintenance Station for more details.



CHONGQING ZONGSHEN GENERAL POWER MACHINE CO.,LTD.

Address:Zongshen industry Zone,Banan District,Chongqing 400054,China

Phone:0086-23-66372525

Hot Line:0086-4001696444 0086-23-66372519 0086-23-66372096

Engine Production License NO.:XK06-002-00655

<http://www.zongshenpower.com>

158#/V1.8