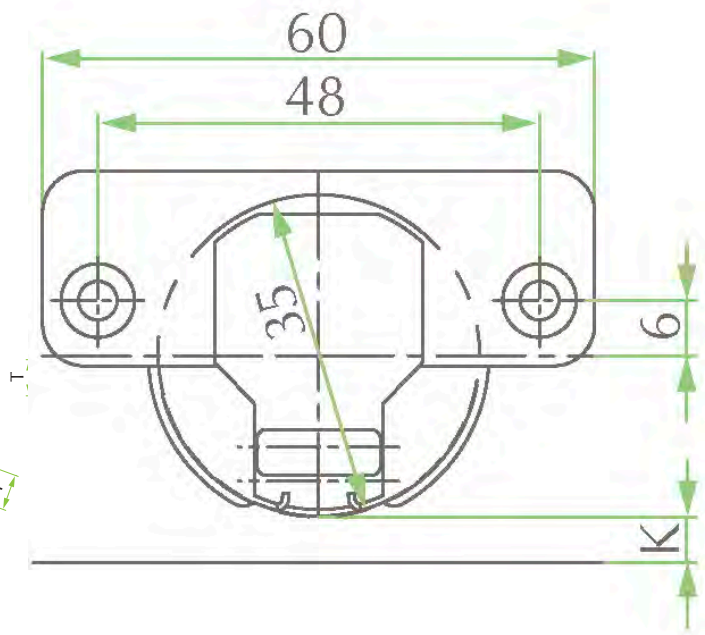
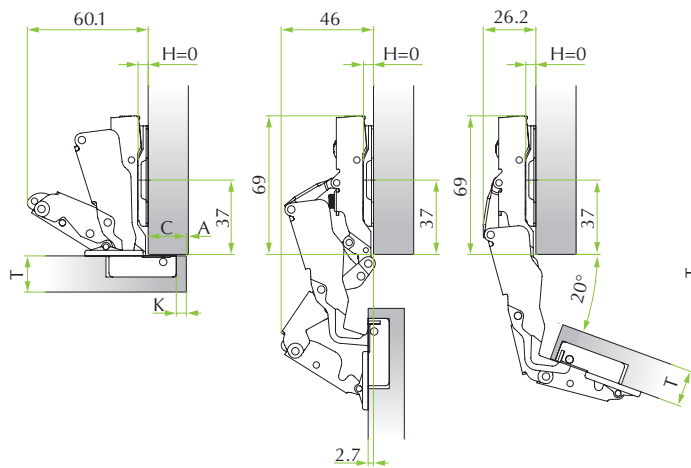


[www.sidirika-nikolaidi.gr](http://www.sidirika-nikolaidi.gr)

**CRANK 0**  
For lay-on doors



		Drilling distance (K)						
		3	4	5	6	7		
Overlay (C)	21					0		
	20				0			
	19			0	2			
	18		0	2				
	17	0	2					
	16	2						
	15	2						
								Mounting plates (H)

		Drilling distance (K)						
		3	4	5	6	7		
Overlay (C)	11					0		
	10				0			
	9			0	2			
	8		0	2				
	7	0	2					
	6	2						
	5	2						
								Mounting plates (H)

Table to determinate the minimum distance **A** so that a door with **T** thickness can open without protrusion from the cabinet and without interfering with adjacent doors.

	T=	16	17	18	19	20	21	22	23	24	25	26
K=3	A=	0.0	0.0	0.0	0.0	0.0	0.0	0.06	0.19	0.41	0.77	1.31
K=4	A=	0.0	0.0	0.0	0.0	0.0	0.0	0.06	0.21	0.46	0.88	1.57
K=5	A=	0.0	0.0	0.0	0.0	0.0	0.0	0.07	0.52	1.05	1.05	2.13
K=6	A=	0.0	0.0	0.0	0.0	0.0	0.0	0.08	0.62	2.33	2.33	3.33
K=7	A=	0.0	0.0	0.0	0.0	0.0	0.0	0.09	0.75	1.33	1.33	2.33